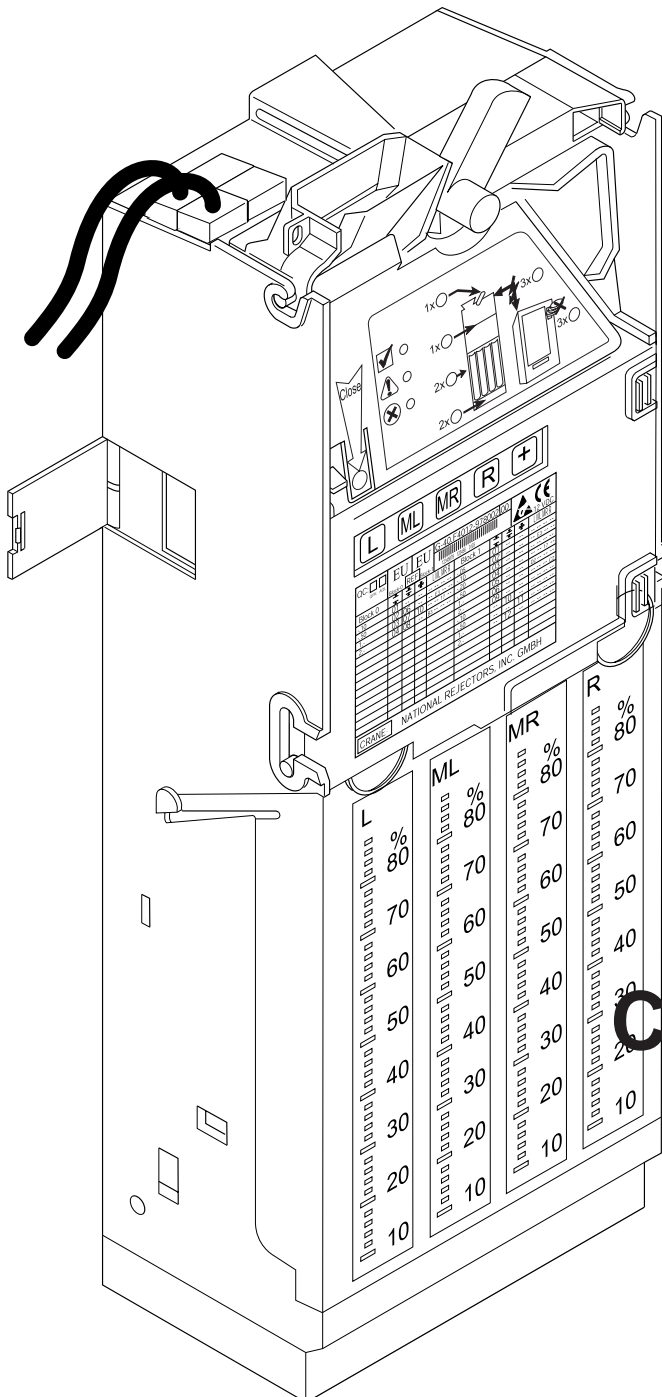




A Crane Co. Company



Coin changer series G-46.F4000

Spare parts list

08.07 Schn/HBu/ds-KR
Edition 1.0
EL.G46F4-GB

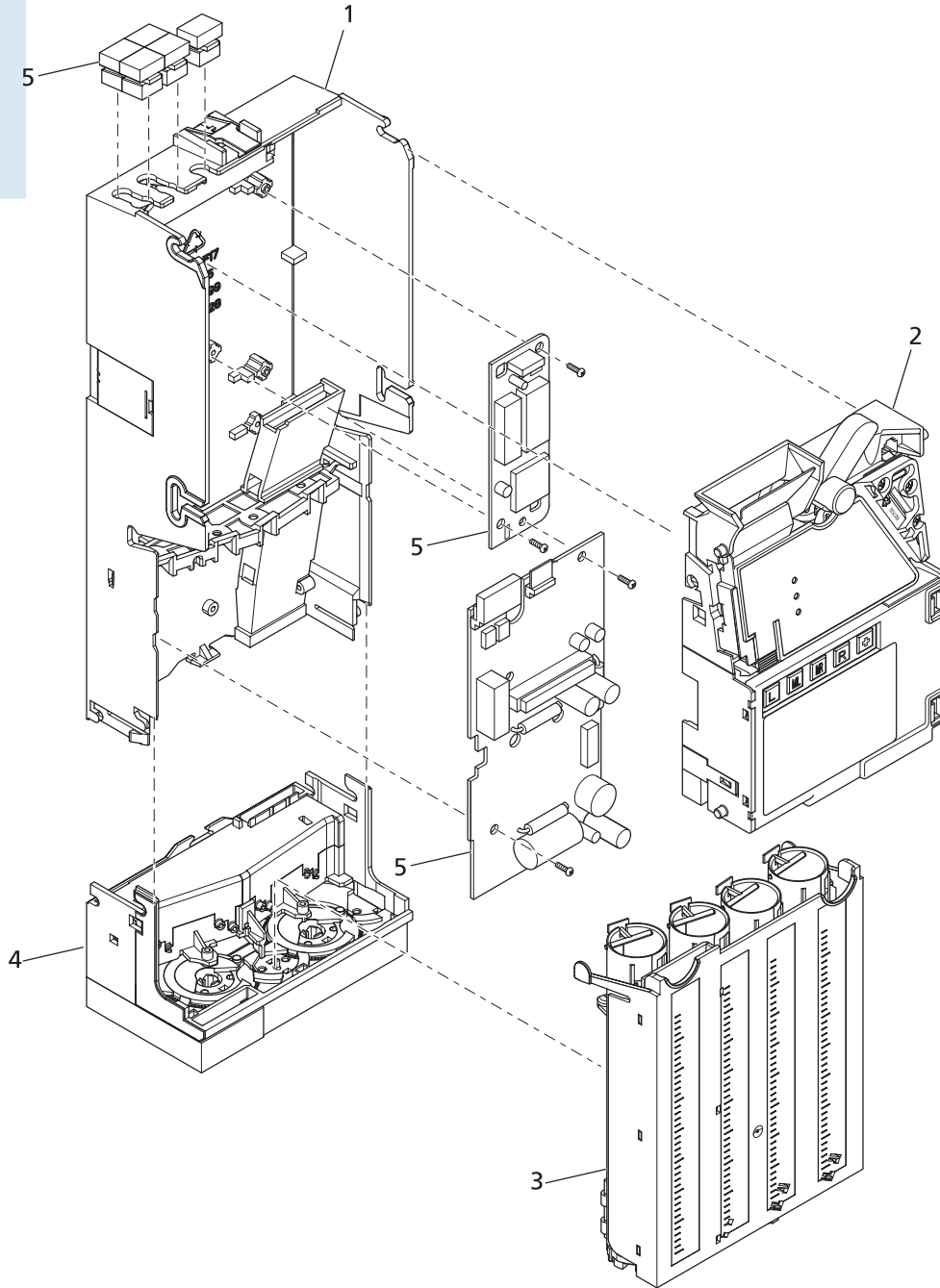


National Rejectors, Inc. GmbH • Zum Fruchthof 6 • D-21614 Buxtehude
Telefon: +49 (0)4161-729-0 • Telefax: +49 (0)4161-729-115 • E-Mail: info@nri.de • Internet: www.nri.de

Table of contents

Overview – assemblies	4
Assembly – housing	5
Assembly – coin validator	6
Assembly – change tubes	8
Assembly – payout set	10
Assembly – interface and extra modules	12

Overview – assemblies



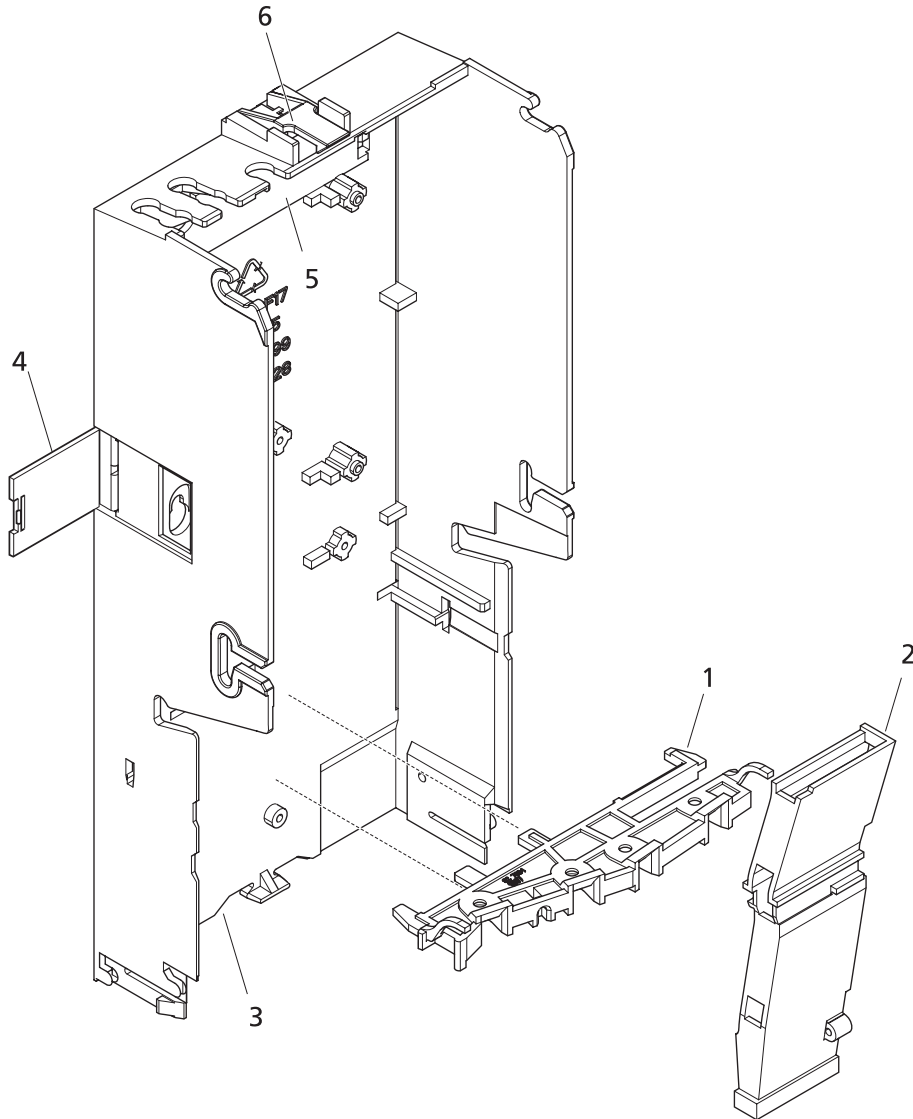
Pos. Part

- 1 Housing
- 2 Coin validator
- 3 Change tubes

Pos. Part

- 4 Payout set
- 5 Interface and extra modules

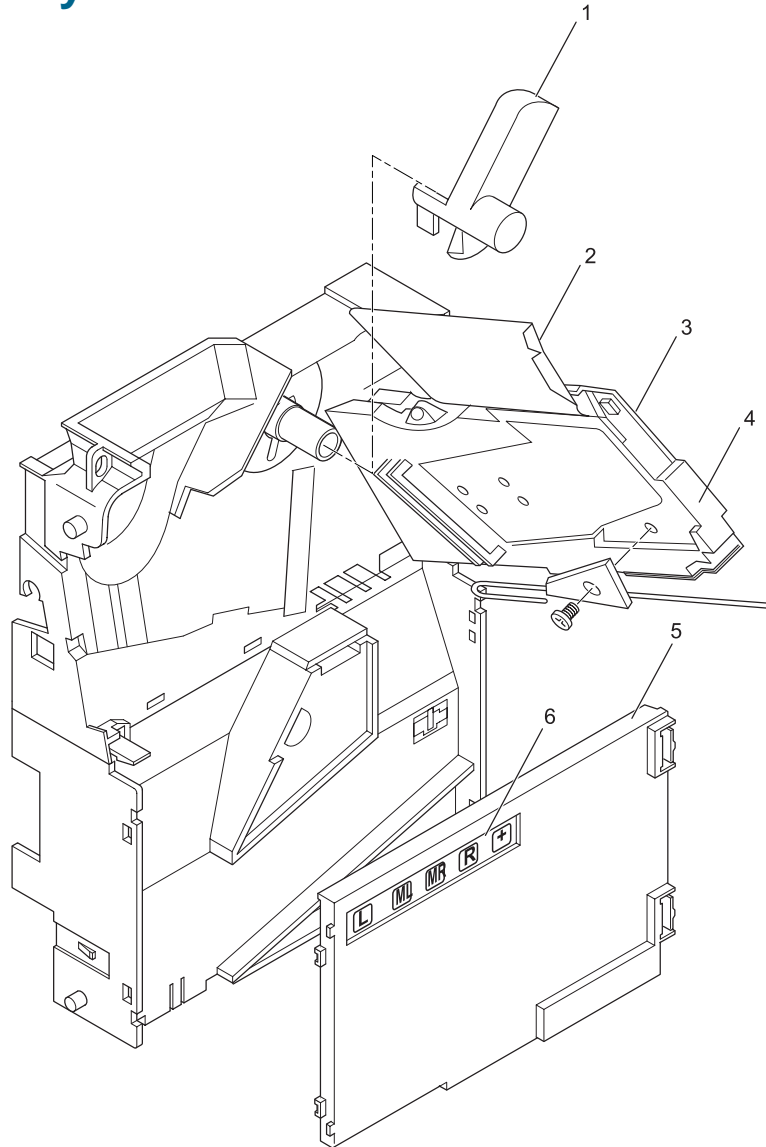
Assembly – housing



Pos.	Order no.	Part
1	11697	Intermediate wall
2	19586	Cash-box channel
3	14726	Housing
4	12305	Cover for housing opening

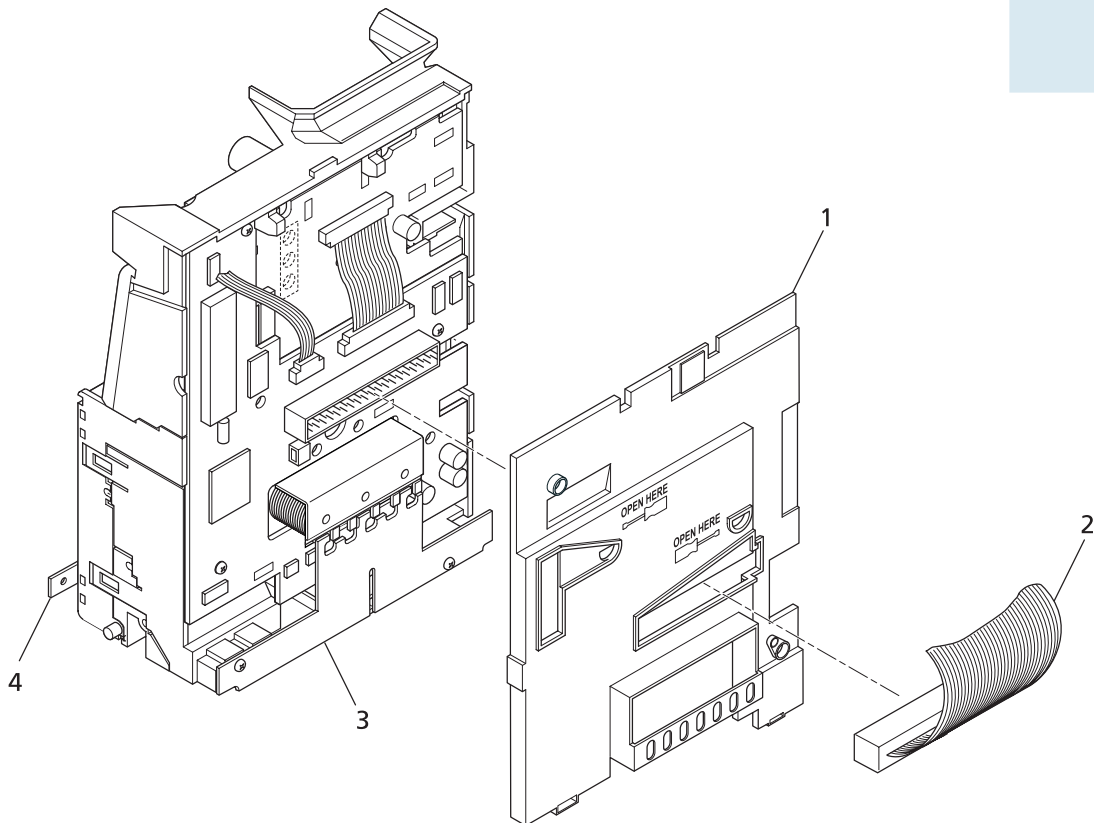
Pos.	Order no.	Part
5	12303	Housing suspension
6	23970	Clasp hook
3-6	24228	Housing, complete with cover and clasp hook

Assembly – coin validator



Pos.	Order no.	Part
1	1 5 5 7 2	Return lever
2	1 9 6 1 8	Insert funnel
3	2 5 1 0 8	Cover for flight deck
4	2 2 7 9 8	Flex PCB, flight deck

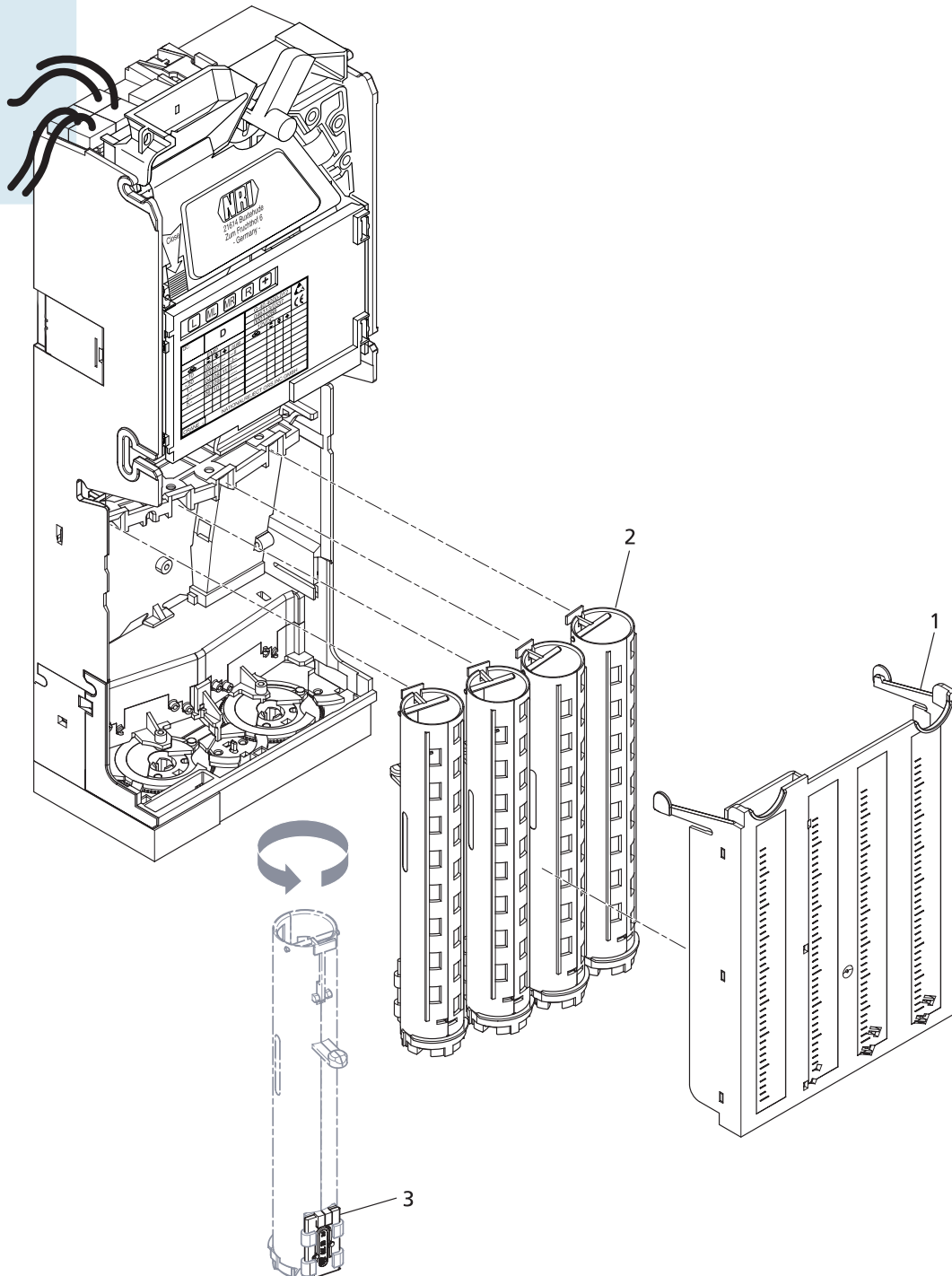
Pos.	Order no.	Part
5	1 1 6 5 5	Sorting cover, front
6	1 2 3 2 0	Membrane keyboard
	Contact us	Coin validator, complete



Pos.	Order no.	Part
1	2 0 6 7 2	Sorting cover, rear
2	2 3 3 6 4	Cable, coin validator – interface module
3	1 6 4 9 6	PCB "Trimagnet/Tube full"

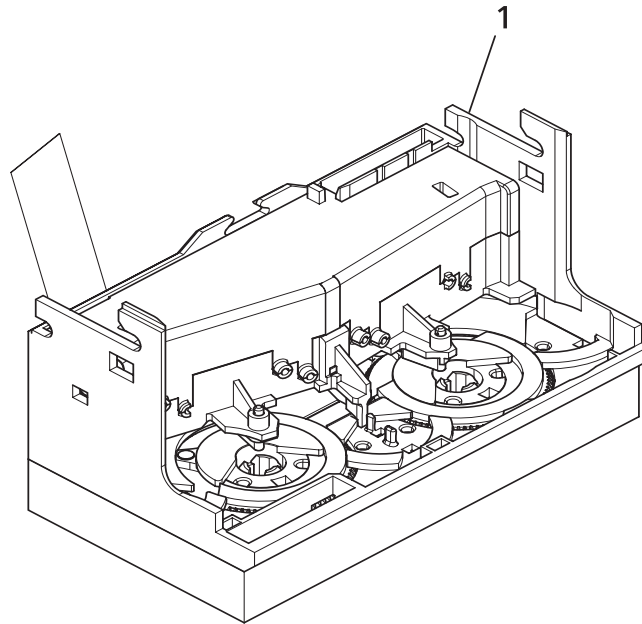
Pos.	Order no.	Part
4	2 7 2 7 4	Flex PCB "Tube full"
Contact us		Coin validator, complete

Assembly – change tubes



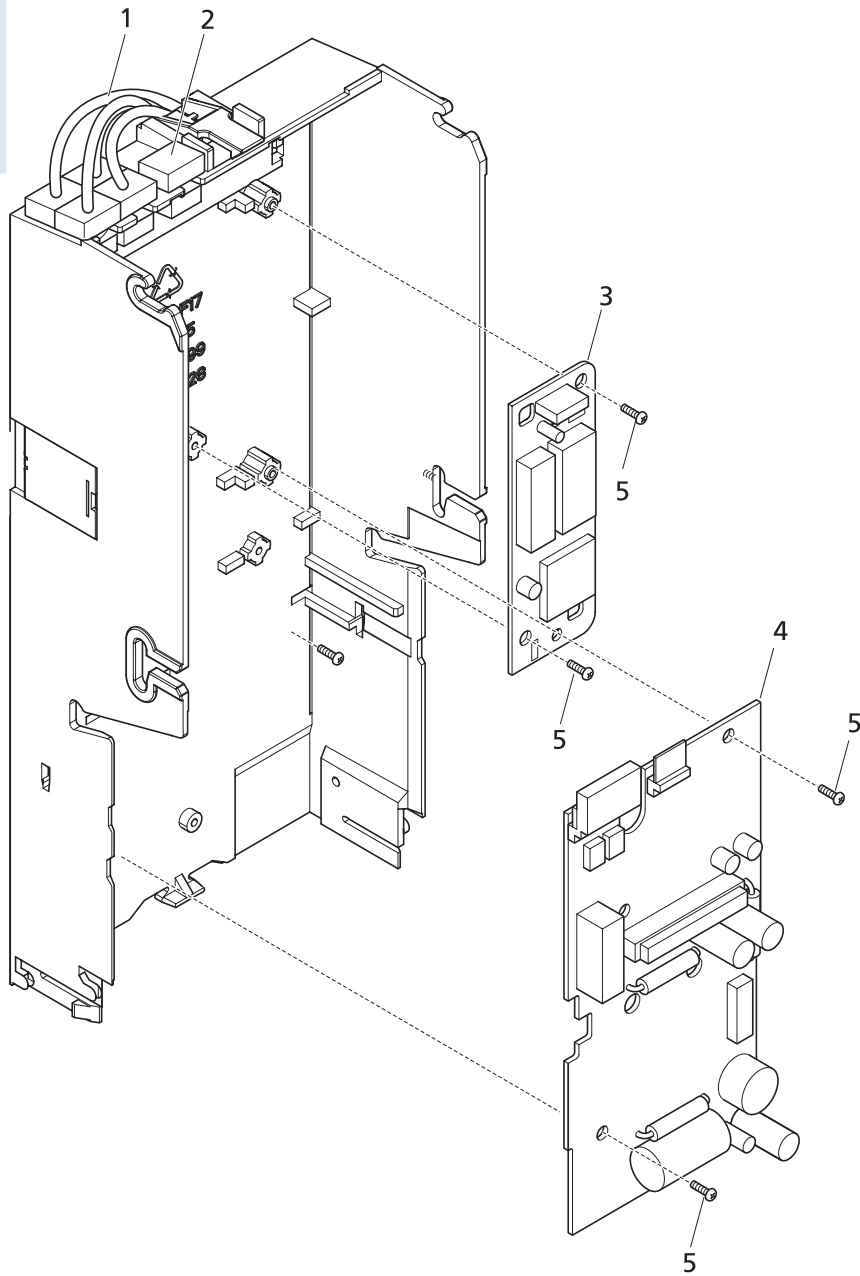
Pos.	Order-no.	Designation	
1	1 6 6 9 7	Coin cover, complete	
2		Coin tube:	
		Designation	For coin diameter
2a	2 0 5 5 1	A	29.2-32 mm
2b	2 0 5 5 0	B	26.3-29.1 mm
2c	2 0 5 4 9	C	24.6-26.2 mm
2d	2 0 5 4 8	D	22.9-23.7 mm
2e	2 0 3 8 2	E	20.1-21.1 mm
2f	2 0 3 8 3	F	17.9-19.2 mm
2g	2 0 3 8 4	G	19.3-17.8 mm
2h	2 0 3 8 5	H	15-16.2 mm
2i	2 0 3 8 6	I	23.8-24.5 mm
2j	2 0 3 8 7	K	21.2-22.8 mm
2k	2 0 3 8 8	M	-32.7 mm
2l	2 0 3 8 9	N	19.3-20 mm
3		Size acceptance limitation:	
		Designation	Max. coin thickness
3a	2 0 6 4 5	0	3.2 mm
3b	2 0 6 3 9	1	3 mm
3c	2 0 6 4 1	2	2.5 mm
3d	2 0 6 4 2	3	2.1 mm
3e	2 0 6 4 3	4	1.25 mm
3f	2 0 6 4 4	5	1.2 mm
3g	2 0 6 4 6	7	2.35 mm
3h	2 0 6 4 7	8	1.8 mm
2+3		Coin tube, complete:	
		Des.	Coin thickness Max. coin thickness
a	2 1 7 2 6	B2	26.3-29.1 mm 2.5 mm
b	2 1 7 2 7	B3	26.3-29.1 mm 2.1 mm
c	2 1 3 6 8	I7	23.8-24.5 mm 2.35 mm
d	2 1 3 6 9	K3	21.2-22.8 mm 2.1 mm
e	2 1 7 2 8	D2	22.9-23.7 mm 2.5 mm
f	2 1 3 7 0	N3	19.3-20 mm 2.1 mm

Assembly – payout set




Pos.	Order no.	Part
1	2 5 6 2 2	Standard payout set, complete (special payout sets for certain payout combinations on request)

Assembly – interface and extra modules



Pos.	Order no.	Part
1		Connecting cables:
1a	1 7 1 9 9	MDB
1b	2 2 3 9 0	MDB, battery
1c	1 7 5 0 9	BDV
1d	1 7 5 0 8	Executive
1e	1 7 5 1 0	JVI
1f	2 3 2 1 7	MDB periphery, internal
1g	1 6 8 7 3	BDV periphery, internal
1h	2 7 0 2 5	Recycler
1i	1 7 5 1 1	Display
1j	2 5 3 5 6	Audit unit
1k	2 6 6 1 1	DEX
1l	2 6 8 3 9	USB
1m	2 8 3 8 5	RS-232
1n	2 6 8 3 8	Power supply for USB/RS-232
1o	2 7 6 2 1	MDB periphery for USB/ RS-232
2	1 2 3 0 4	Dummy plug
3		Extra modules:
3a	G-53.0495	Internal audit unit
3b	G-53.0498	USB/RS-232 adapter
3c	G-53.0518	Hopper interface
4		Interface modules:
4a	G-53.0482	MDB/MDB, battery
4b	G-53.0504	MDB incl. audit unit
4c	G-53.0501	MDB inc. recycler interface
4d	G-53.0467	BDV/Executive/MDB
4e	G-53.0468	JVI/MDB
5	1 5 5 7 1	Oval cross-headed screw, self-tapping



When ordering spare parts, always indicate the model number of your device **and the correct** order number and designation of the spare part **you require.**

In addition, please observe the following:

This spare parts list corresponds to the NRI development status at the time of publication. NRI is not obliged to announce further developments or modifications or carry out similar modifications on already delivered devices. NRI reserves the right to stop the manufacturing of devices at its own discretion.

Availability of spare parts: max. 5 years after the model has been discontinued.