

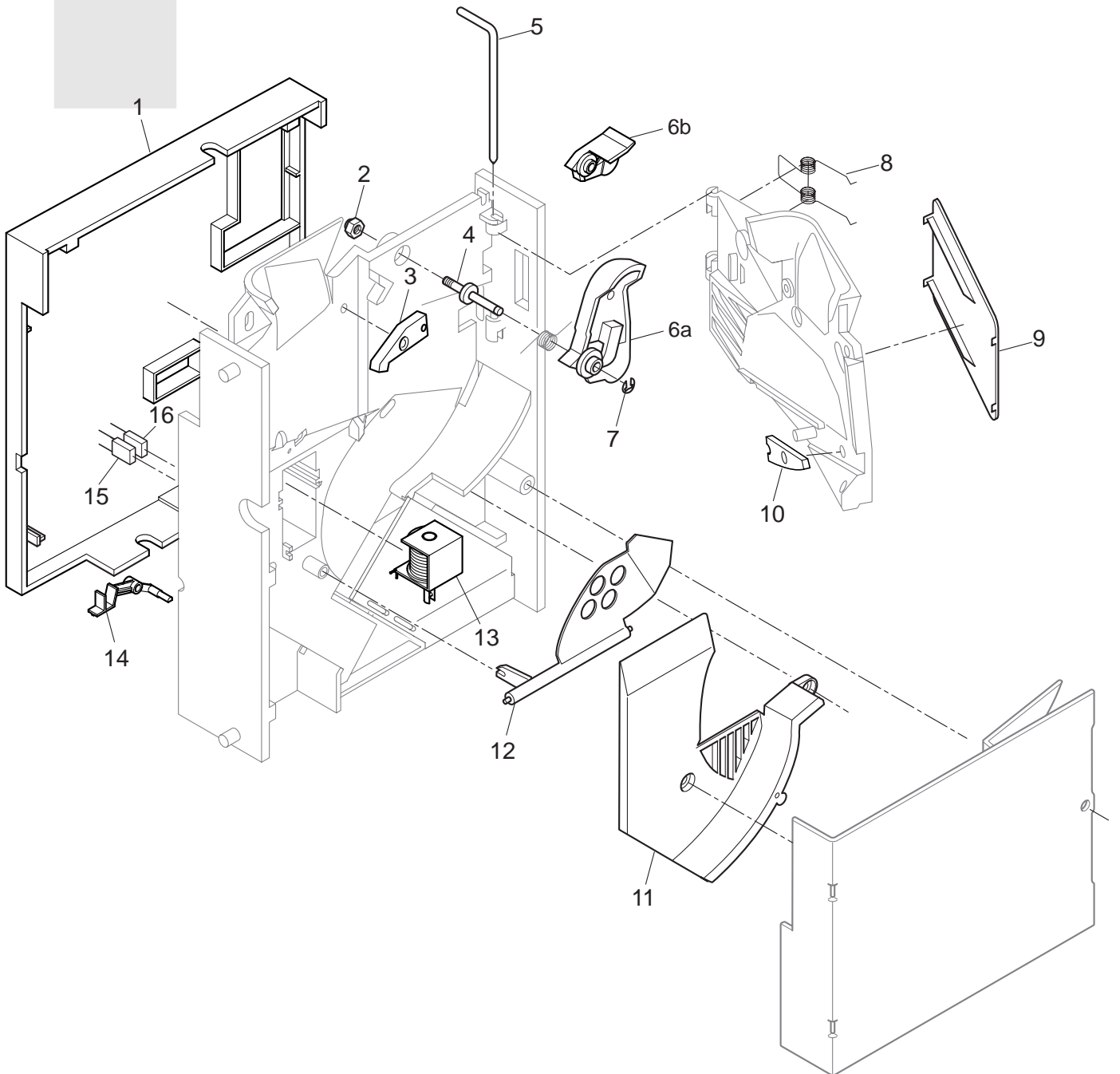
Electronic coin validator G-18.mft

Spare parts list

07.02 vBi/ds
Edition 1.0
EL.G18MFT-GB



National Rejectors, Inc. GmbH • Zum Fruchthof 6 • D-21614 Buxtehude
Phone: +49 (0)4161-729-0 • Fax: +49 (0)4161-729-115 • e-mail: info@nri.de • Internet: www.nri.de



Item	Order no.	Designation	Item	Order no.	Designation
1	19022	Cover, rear side	8	20890	Rotary spring for flight deck
	21114	Cover, rear side for 2 nd plug	9	19331	Cover for flight deck cpl.
2	349	Hexagon nut M4	10	6856	Coin snubber, pre-assembled size limiter
3	354	Coin snubber	11	17214	False coin runway 2
4	6663	Pivot for return lever		18507	False coin runway 2 GB
5	4079	Coin validator pivot Ø = 2.4	12	696	Acceptance gate
6a	6838	Return lever/roll cpl.		6660	Acceptance gate for Hong Kong
6b	6839	Return lever cpl.	13	17015	Acceptance solenoid cpl. V3
7	321	Circlip 3.2 x 7 x 0.6	14	16747	String lever
			15	1455	IR transistor OP 550 for string
			16	1456	IR diode for string

When ordering spare parts, please always indicate the complete model number of your device and the exact order number and designation of the part you require.

Please also observe:

The spare parts list complies with the state of NRI development at the time of publication. NRI is not obliged to notify of further developments or modifications, or to carry out similar modifications on devices already delivered. NRI reserves the right to stop the production of devices at its own discretion. Spare parts will be available for up to 5 years after production of the model has ceased.